



United States Patent and Trademark Office

[Home](#) | [Site Index](#) | [Search](#) | [FAQ](#) | [Glossary](#) | [Guides](#) | [Contacts](#) | [eBusiness](#) | [eBiz alerts](#) | [News](#) | [Help](#)

Publication Number: 01619183

Section: Drawings 1 of 4 pages

[Help](#)

[▲ Full Text](#)
[? Help](#)

Go to Page:

Sections:

- Front Page**
- Drawings**
- Specifications**
- Claims**

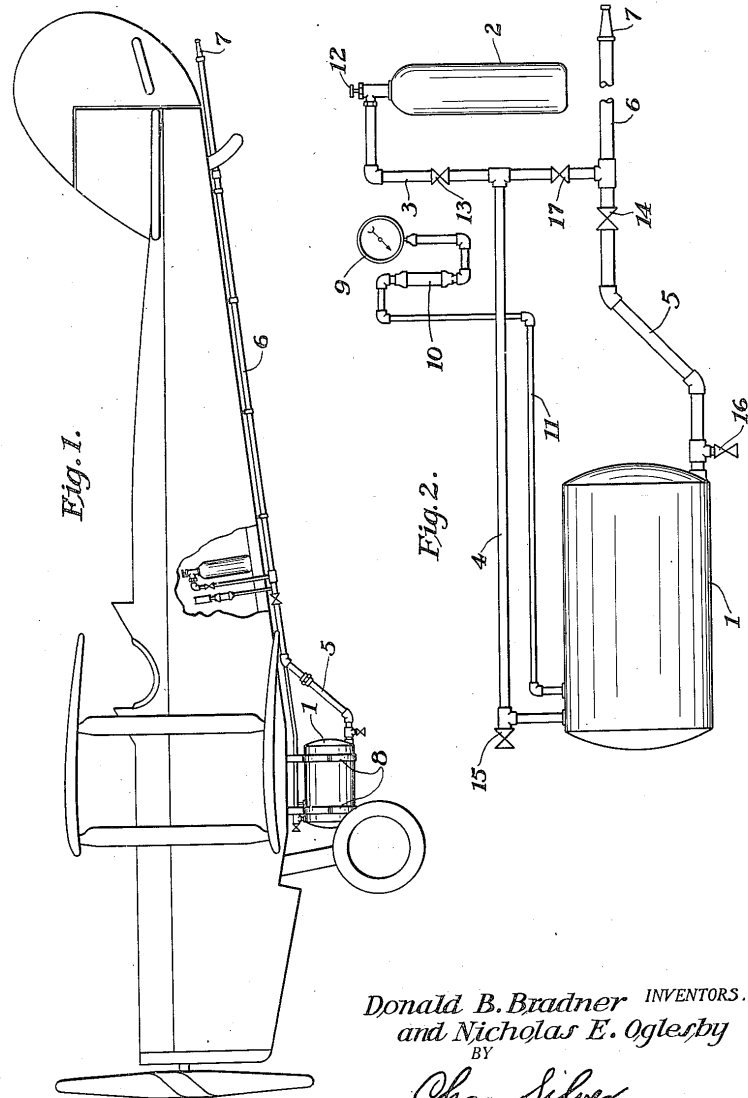
March 1, 1927.

1,619,183

D. B. BRADNER ET AL

PROCESS OF PRODUCING SMOKE CLOUDS FROM MOVING AIRCRAFT

Filed May 8, 1925



Donald B. Bradner INVENTORS.
and Nicholas E. Oglesby

BY
Chas. Silver ATTORNEY.